

Masport[®] Heating

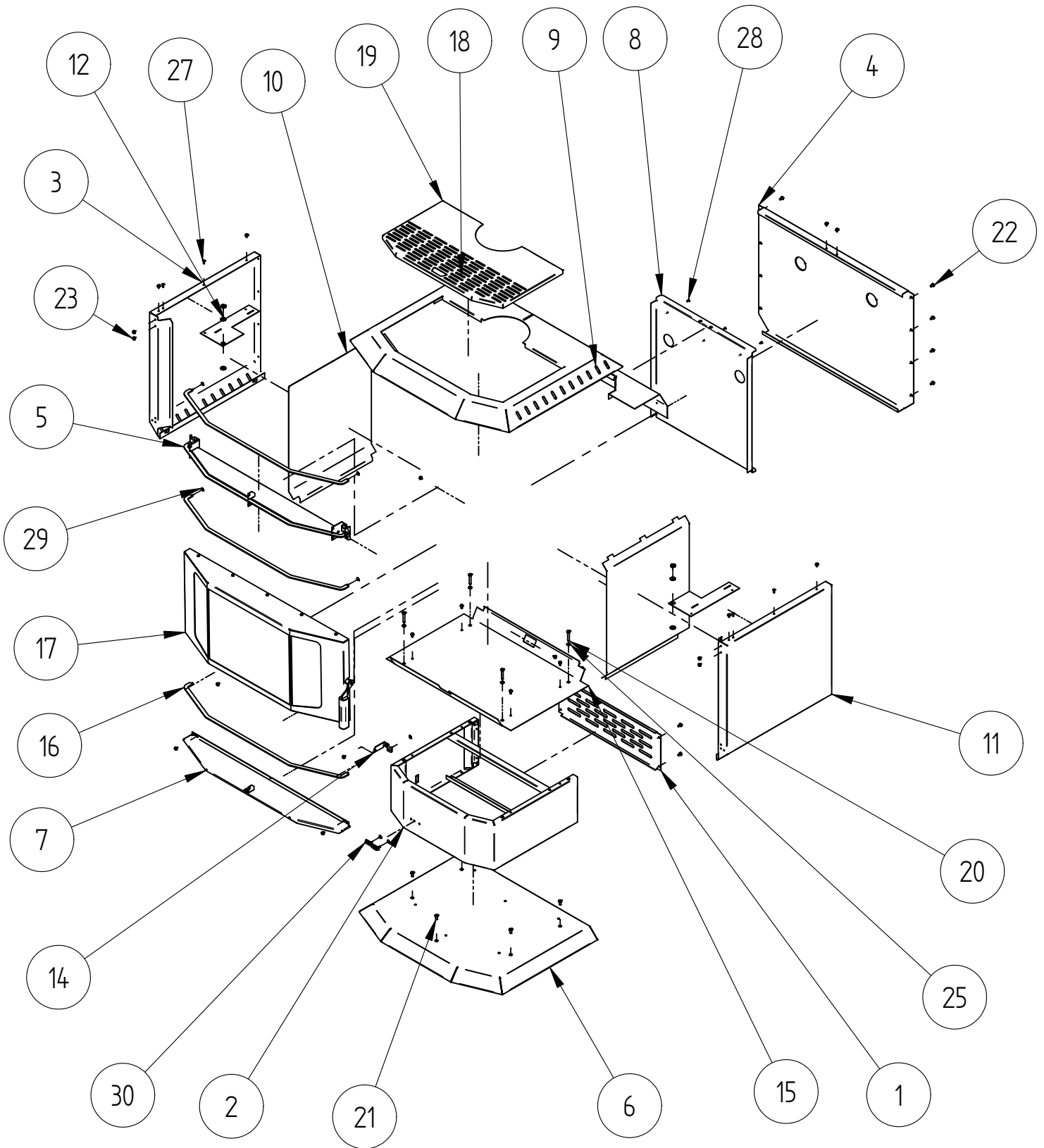
FREESTANDING WOOD FIRES

F10000R - NEW ZEALAND 2013

Item No.	MARKET	FUEL TYPE	FINISH	YEAR	FAN
995959	NZ	SOFTWOOD	Matt Black Enamel	SEP-2013	Rural Only



PANELS, DOOR AND PEDESTAL

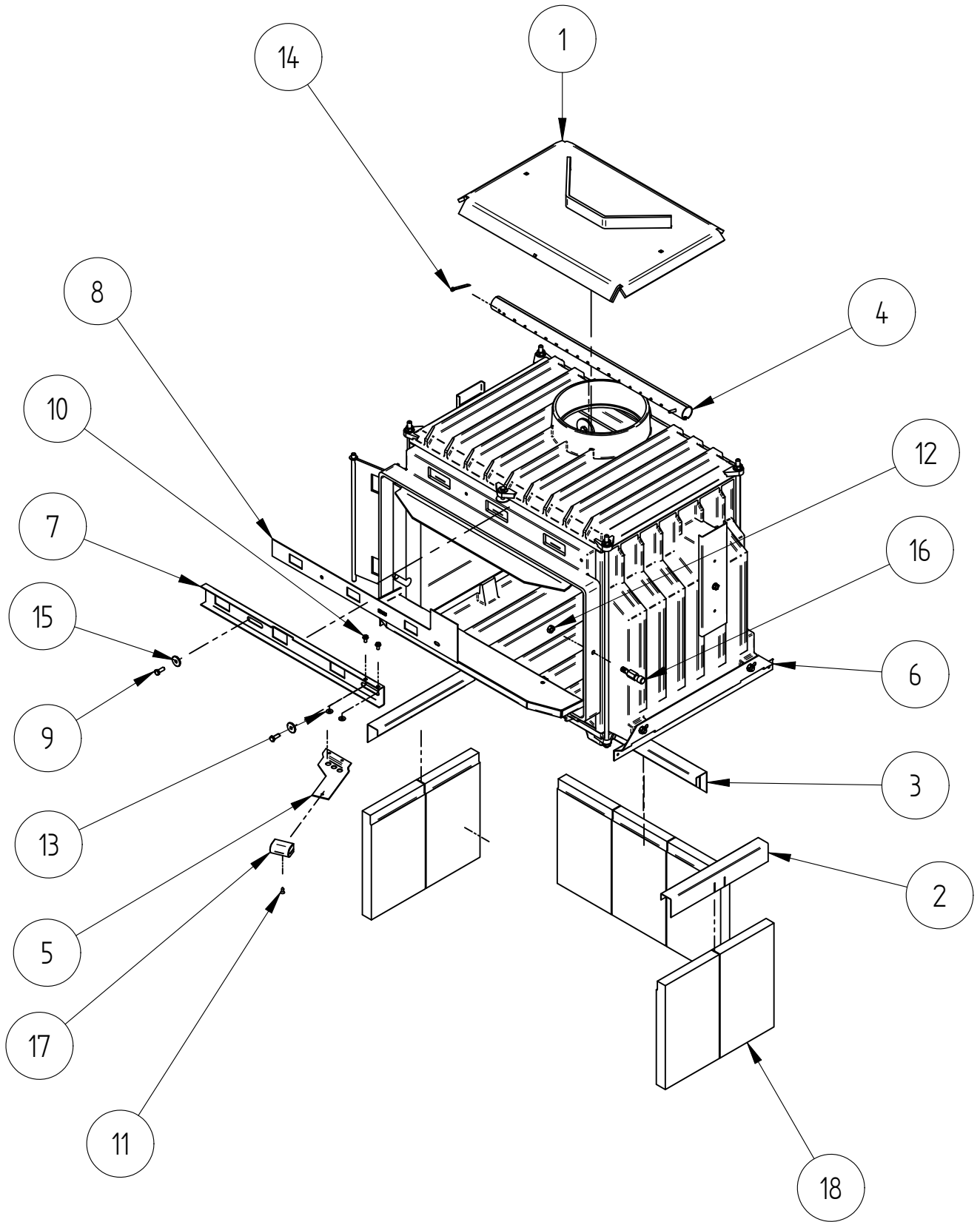


When ordering PLEASE QUOTE PART ID along with Finish Suffix (if applicable)

PANELS, DOOR AND PEDESTAL				
Item	Part ID	Models	Descriptions	Qty
		995959		
1	995222	P02	PANEL – PEDESTAL BACK, GRANDVIEW	1
2	995223	P02	F12000, PEDESTAL WELDED	1
3	995512	E01	PANEL – SIDE, LH GRANDVIEW	1
4	995513	P02	PANEL – REAR, GRANDVIEW	1
5	995514	V02	GRILLE ASSY-GRANDVIEW CHAR VHT	1
6	995225	P02	F12000 BASE WELDED	1
7	995525	E01	PANEL ASSY FRONT, GRANDVIEW	1
8	995528	-	HEATSHIELD-BACK GRANDVIEW	1
9	995771	-	FLUE DEFLECTOR F10000	1
10	995529	-	HEATSHIELD-SIDE GRANDVIEW	2
11	995533	E01	PANEL – SIDE, RH GRANDVIEW	1
12	995536	-	BRACE – TOP, SIDE PANEL	2
13*	995537	V02	BRACKET MOUNT GRILL BAR LH	1
14	995538	V02	BRACKET MOUNT GRILL BAR RH	1
15	995540	-	HEATSHIELD – BOT, GRANDVIEW	1
16	995629	V04	BLADE-GRILLE,GRANDVW TITANIUM VHT	3
17	995766	-	DOOR ASSY COMPL,3- GLASS, GRANDV CHAR VHT (SEE DOOR PAGE)	1
18	995768	E01	F10000R PANEL ASSY TOP	1
19	995769	E01	REMOVABLE TOP ASSY – F10000R	1
20	521060	-	SCREW; M6X35 HEX ZP	4
21	521075	-	SCREW; M6X12 HEX ZP	5
22	521620	-	SCREW; S/T 10GX3/8" HEX FLANGE SLOT BLK	16
23	521635	-	SCREW; S/T 10GX3/8" HEX FLANGE BLK	18
24*	522118	-	NUT; HEX STD M8 ZP	2
25	523031	-	WASHER; FLAT M6 ZP	4
26*	523034	-	WASHER; FLAT M8X19X1.6 ZP	4
27	524006	-	RIVET; 73 AS 5-5	4
28	524010	-	RIVET; 73 AS 4-3 LONG	3
29	526001	-	CLIP; STARLOCK 4 DIA SLP04	8
30	587836	-	BADGE MASPORT CAST	1

When ordering PLEASE QUOTE PART ID along with Finish Suffix (if applicable)

AIRSLIDE, BAFFLE, BRICKS AND FIREBOX

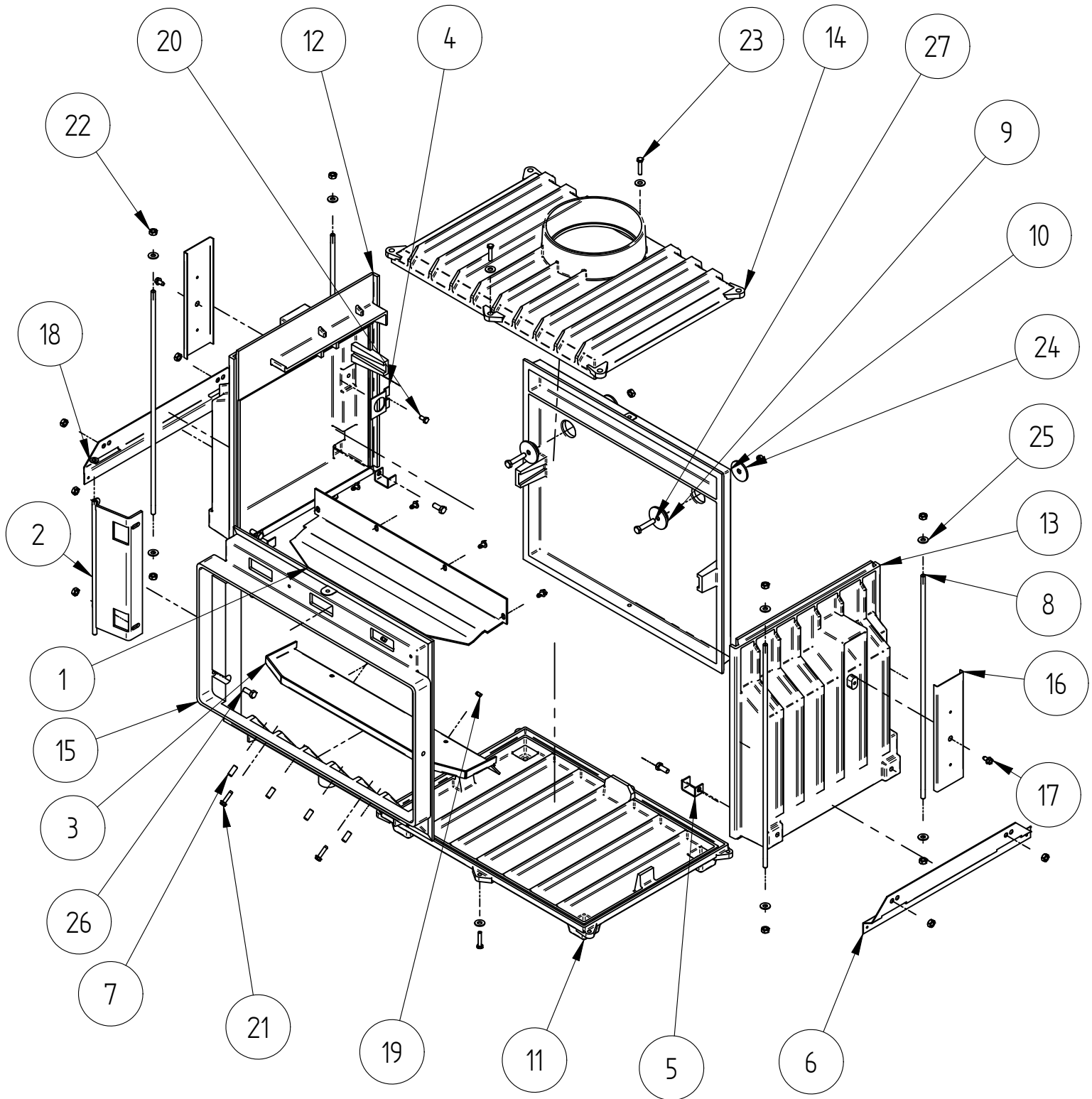


When ordering PLEASE QUOTE PART ID along with Finish Suffix (if applicable)

AIRSLIDE, BAFFLE, BRICKS AND FIREBOX				
Item	Part ID	Models	Descriptions	Qty
		995959		
1	993436	V02	BAFFLE ASSY STL F7000	1
2	994258	-	CHANNEL BRICK RETAINER F2000	2
3	987146	-	CHANNEL - BRICK RETAINER LE7000	1
4	995285	-	TUBE-SEC AIR, 21X4.5 F10000R	1
5	995551	-	AIR SLIDE EXTENSION GRANDVIEW	1
6	995733	-	F/B ASSY F10000R NZ	1
7	995734	-	SLIDE - AIR GRANDVIEW	1
8	995736	-	PLATE - METERING GRANDVIEW	1
9	521052	-	SCREW; M6X16 HEX BLK	2
10	521620	-	SCREW; S/T 10GX3/8" HEX FLANGE SLOT BLK	2
11	521642	-	SCREW; S/T 8GX1/2" CSK POZI ZP	1
12	522118	-	NUT; HEX STD M8 ZP	1
13	523000	-	WASHER; FLAT 3/16"X1/2"X18G ZP	2
14	525105	-	COTTER PIN 5.0X40 ZP	1
15	MIC00083	-	LOGAIRE METRO AIR SLIDE SPACER	2
16	595545	-	PIN-DOOR LATCH GRANDVIEW	1
17	986162	-	KNOB-AIR CONTROL WOODFIRE	1
18	MIC00354	-	MIC BRICK	7

When ordering PLEASE QUOTE PART ID along with Finish Suffix (if applicable)

FIREBOX DETAILS

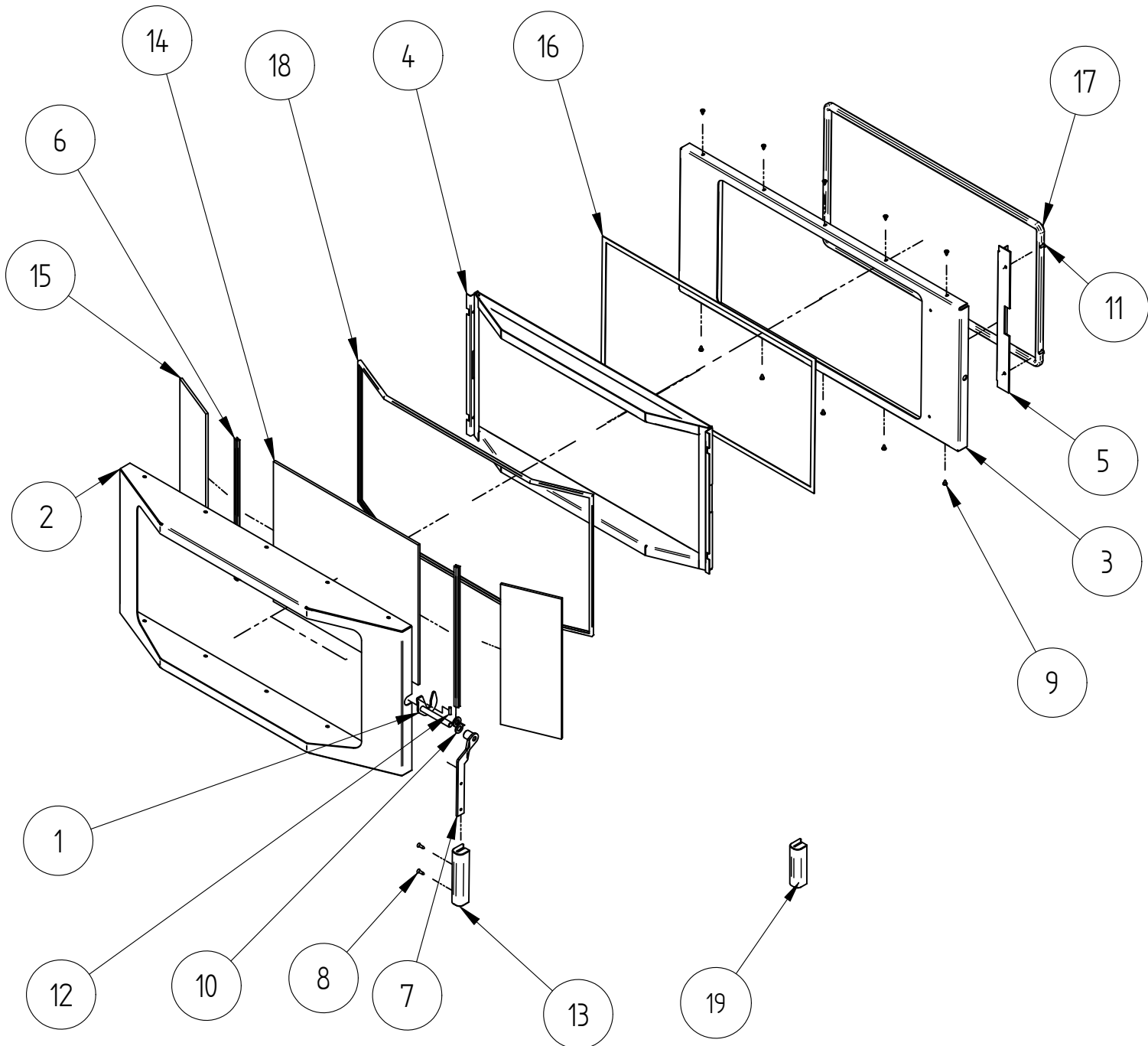


When ordering PLEASE QUOTE PART ID along with Finish Suffix (if applicable)

FIREBOX : 995735				
Item	Part ID	Models	Descriptions	Qty
		995959		
1	995229	-	DEFECTOR - PRIMARY AIR, PANARAMA	1
2	995522	-	HINGE ASSY GRANDVIEW	1
3	995524	-	WELD ASH RETAINER GRANDVIEW ASSEMBLY	1
4	995541	-	BRACKET-RETAIN	2
5	995542	-	BRKT-BOARD D/D GDVW	4
6	995548	-	BRACKET MOUNTING CABINET	2
7	525007	-	PIN; TENSION 8X20 BLK BISSELL 001791	4
8	587108	-	ROD; TIE M8X 510	4
9	684089	-	PLUG, 34DIAPITTS/FATSO/WFIRE	2
10	687103	-	F/B BACK LE7&PR/CLRDO/GDVW/TOR	1
11	687104	-	F/B BOTTOM LE7/CLRDO/GNDVW/TOR	1
12	695517	-	F/B SIDE LH	1
13	695522	-	F/B SIDE RH	1
14	695544	-	FIREBOX TOP GRANVIEW	1
15	695558	-	F/B FRONT GRANDVIEW	1
16	986146	-	COVER - SECONDARY AIR	2
17	521601	-	SCREW; S/T 1/4"X1/2" HEX FLANGE ZP	6
18	523019	-	WASHER; FLAT 5/16"X5/8"X16G ZP	1
19	522117	-	NUT; HEX STD M6 ZP	2
20	521075	-	SCREW; M6X12 HEX ZP	2
21	521633	-	SCREW; S/T M6X25 HEX FLANGE TAPTITE	2
22	522118	-	NUT; HEX STD M8 ZP	16
23	521059	-	SCREW; M6X30 HEX ZP	4
24	523035	-	WASHER; FLAT M8X22X3 HVY ZP	2
25	523034	-	WASHER; FLAT M8X19X1.6 ZP	14
26	521066	-	SCREW; M8X20 HEX ZP	6
27	521070	-	SCREW; M8X40 HEX ZP	2

When ordering PLEASE QUOTE PART ID along with Finish Suffix (if applicable)

DOOR ASSEMBLY



When ordering PLEASE QUOTE PART ID along with Finish Suffix (if applicable)

DOOR ASSEMBLY: 995766				
Item	Part ID	Models	Descriptions	Qty
		995959		
1	986630	-	LATCH DOOR ASSY 10MM BLK ZINC	1
2	995502	E01	COVER DOOR, F12000	1
3	995503	V02	PANEL-DOOR ASSY,GRANDV. MET BLK VHT	1
4	995504	V02	FRAME ASSY-GLASS,GROVW MET BLK VHT	1
5	995511	V02	CHANNEL ASSY-ROPE,HINGE GVW MET BLK VHT	1
6	995760	V02	TRIM - GLASS ASSEMBLY, GRANDVIEW	2
7	995765	-	HANDLE-ASSY,GRANDVIEW FERROMOLY	1
8	521628	-	SCREW; S/T 8GX5/8" CSK POZI ZP	2
9	521630	-	SCREW; S/T 8GX5/16" POZI PAN BLK	10
10	523021	-	WASHER; FLAT M10X19X1.6 ZP	3
11	524011	-	RIVET; 73 MS 5-3	2
12	525001	-	PIN; TENSION 4X16 BLK	1
13	593330	-	HANDLE, DOOR, WOOD - LE4000, 4.0mm	1
14	595761	-	GLASS-W/F G/VIEW 5X336X389, N-ZERO	1
15	595762	-	GLASS-W/F G/VIEW 5X336X177, N-ZERO	2
16	C10MMGT	-	GLASS FIBRE TAPE 10x3x5	1
17	C15MMDR	-	DOOR ROPE	1
18	C30MMLT	-	LADDER TAPE 25x3x50m ROLL (MTR)	1
19*	786161	-	DOOR HANDLE KIT	1

*Optional Sale Kit

NOT ILLUSTRATED				
Item	Part ID	Models	Descriptions	Qty
		995980		
1	595803	-	INSTRUCTION - BRICK LAYOUT	1
2	593286	-	OWNER MANUAL WOODFIRES 2010	1
3	593287	-	INSTALL MANUAL WOODFIRES 2010	1
4	595770	-	INSTALLATION DATA SHEET F10000	1

SURFACE FINISH CODES FOR PANELS					
VITREOUS ENAMEL		VHT PAINT(Very High Temp)		POWDER COAT	
E01	MATT BLACK	V02	METALLIC BLACK	P02	MATT BLACK
E02	GLOSS BLACK	V03	CHARCOAL	P03	CHARCOAL
E03	CHARCOAL	V04	TITANIUM	P05	SATIN BLACK
		V05	CHARCOAL (DAM MET BLK)	P09	METTALIC BLACK
		V06	METALLIC BLACK ZINC		

When ordering PLEASE QUOTE PART ID along with Finish Suffix (if applicable)